

PARTS CATALOG

FL Cassette-Y1/Z1

Canon

Nov 13 2003

PREFACE

This Parts Catalog contains listings of parts used

Diagrams are provided with the listings to aid the service technician in identifying clearly, the item to be ordered.

Whenever ordering parts, consult this Parts Catalog for all of the information pertaining to each item. Be sure to include, in the Parts Request, the full item description, the item part number, and the quantity.

COPYRIGHT (C) 1999 CANON INC.

Use of this manual should be strictly supervised to avoid disclosure of confidential information.

Contents

Parts List Index

FL Cassette-Y1/Z1 1-1

FL Cassette-Y1/Z1

L30 CASSETTE (MIDDLE) 2-1

L31 CASSETTE (LARGE) 2-4

NUMERICAL INDEX

FL Cassette-Y1/Z1

PARTS NUMBER	FIGURE & KEY NO.	PARTS NUMBER	FIGURE & KEY NO.	PARTS NUMBER	FIGURE & KEY NO.
FB6-3478-000	L30 - 1	FC5-1425-000	L30 - 21		
FB6-3478-000	L31 - 1	FC5-1425-000	L31 - 21		
FB6-3479-000	L30 - 2	FF6-2064-000	L30 - 22		
FB6-3479-000	L31 - 2	FF6-2064-000	L31 - 22		
FB6-3480-000	L30 - 3	FS6-8116-000	L30 - 23		
FB6-3480-000	L31 - 3	FS6-8116-000	L31 - 23		
FB6-3481-000	L30 - 4	FS7-2805-000	L30 - 24		
FB6-3481-000	L31 - 4	FS7-2805-000	L31 - 24		
FB6-3482-000	L30 - 5	FU3-0293-000	L30 - 25		
FB6-3482-000	L31 - 5	FU3-0293-000	L31 - 25		
FB6-3483-000	L30 - 6	FU3-0294-000	L30 - 26		
FB6-3483-000	L31 - 6	FU3-0294-000	L31 - 26		
FB6-3484-000	L30 - 7	FU5-2032-000	L30 - 27		
FB6-3484-000	L31 - 7	FU5-2033-000	L31 - 27		
FB6-3486-000	L30 - 8	FU5-2097-000	L30 - 28		
FB6-3486-000	L31 - 8	FU5-2097-000	L31 - 28		
FB6-3490-000	L30 - 9	FU5-2104-000	L30 - 29		
FB6-3490-000	L31 - 9	FU5-2104-000	L31 - 29		
FB6-3499-000	L30 - 31	NPN	L30 -		
FB6-3499-000	L31 - 31	NPN	L31 -		
FB6-3506-000	L30 - 10	XB2-8300-607	L30 - 501		
FB6-3506-000	L31 - 10	XB2-8300-607	L31 - 501		
FB6-3524-000	L31 - 12	XB4-5300-807	L30 - 502		
FC5-0583-000	L30 - 11	XB4-5300-807	L31 - 502		
FC5-0583-000	L31 - 11	XB6-7300-807	L30 - 503		
FC5-0584-000	L31 - 13	XB6-7300-807	L31 - 503		
FC5-0585-000	L30 - 12	XD1-1104-135	L30 - 504		
FC5-0591-000	L30 - 13	XD1-1104-135	L31 - 504		
FC5-0597-000	L30 - 30				
FC5-0597-000	L31 - 30				
FC5-0598-000	L30 - 14				
FC5-0598-000	L31 - 14				
FC5-0605-000	L31 - 16				
FC5-0622-000	L30 - 15				
FC5-0624-000	L31 - 15				
FC5-0635-000	L30 - 16				
FC5-0636-000	L30 - 17				
FC5-0637-000	L31 - 17				
FC5-1422-000	L30 - 18				
FC5-1422-000	L31 - 18				
FC5-1423-000	L30 - 19				
FC5-1423-000	L31 - 19				
FC5-1424-000	L30 - 20				
FC5-1424-000	L31 - 20				

FL Cassette-Y1/Z1

F32-3701-000

F32-3711-000

Contents

L30	CASSETTE (MIDDLE)	2-1
L31	CASSETTE (LARGE)	2-4

FIGURE L30
CASSETTE (MIDDLE)

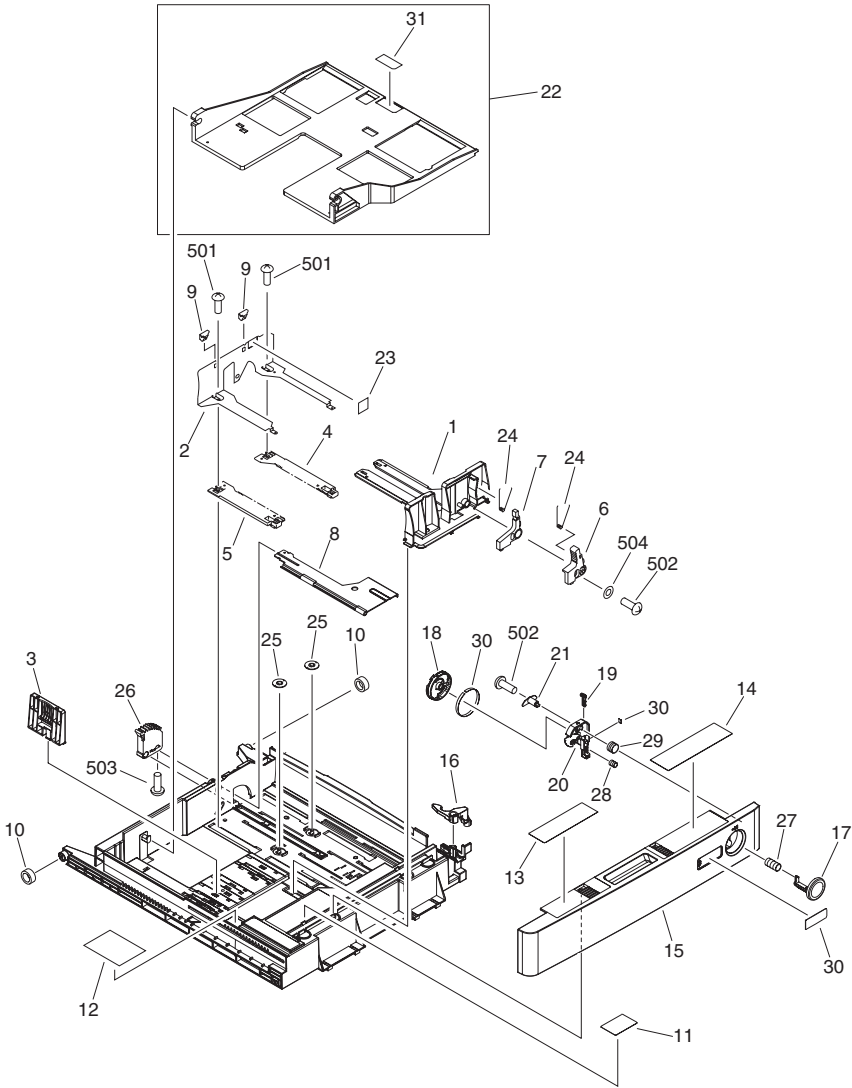


FIGURE & KEY NO.	PARTS NUMBER	R A N K	Q'TY	DESCRIPTION	SERIAL NUMBER/ REMARKS	S V C
Fig.L30	NPN		RF	CASSETTE	MIDDLE	
1	FB6-3478-000		1	PLATE, SIDE GUIDE, FRONT		
2	FB6-3479-000		1	PLATE, SIDE GUIDE, REAR		
3	FB6-3480-000		1	PLATE, END GUIDE		
4	FB6-3481-000		1	RACK, 1		
5	FB6-3482-000		1	RACK, 2		
6	FB6-3483-000		1	KNOB, SIDE GUIDE PLATE, 1		
7	FB6-3484-000		1	KNOB, SIDE GUIDE PLATE, 2		
8	FB6-3486-000		1	PLATE, LIFTER		
9	FB6-3490-000		2	CLAW, SIDE PLATE GUIDE		
10	FB6-3506-000		2	COLLAR, CASSETTE SWING		
11	FC5-0583-000		1	LABEL, PAPER SET		
12	FC5-0585-000		1	LABEL, PAPER SET CAUTION		
13	FC5-0591-000		1	LABEL, SIZE CHANGE		
14	FC5-0598-000		1	LABEL, DIAL SET		
15	FC5-0622-000		1	PANEL, CASSETTE FRONT		
16	FC5-0635-000		1	ARM, LOCK		
17	FC5-0636-000		1	BUTTON, PUSH		
18	FC5-1422-000		1	DIAL, SIZE DETECT		
19	FC5-1423-000		1	SLIDER, CONVERT		
20	FC5-1424-000		1	HOLDER, DIAL		
21	FC5-1425-000		1	PIN, FLOAT GUIDE		
22	FF6-2064-000		1	PLATE, PAPER LIFTING		
23	FS6-8116-000		1	LABEL, 'PAPER HEIGHT'		
24	FS7-2805-000		2	SPRING, TORSION		
25	FU3-0293-000		2	GEAR, 16T		
26	FU3-0294-000		1	GEAR, 7T		
27	FU5-2032-000		1	SPRING, COMPRESSION		
28	FU5-2097-000		1	SPRING, COMPRESSION		
29	FU5-2104-000		1	SPRING, COMPRESSION		
30	FC5-0597-000		1	LABEL, CASSETTE SIZE		
31	FB6-3499-000		1	SHEET, SEPARATION		

FIGURE & KEY NO.	PARTS NUMBER	R A N K	Q'TY	DESCRIPTION	SERIAL NUMBER/ REMARKS	S V C
501	XB2-8300-607		AR	SCREW,W/WASHER,M3X6		
502	XB4-5300-807		AR	SCREW,P,M3X8		
503	XB6-7300-807		AR	SCREW,TP,M3X8		
504	XD1-1104-135		AR	SHIM		

FIGURE L31
CASSETTE (LARGE)

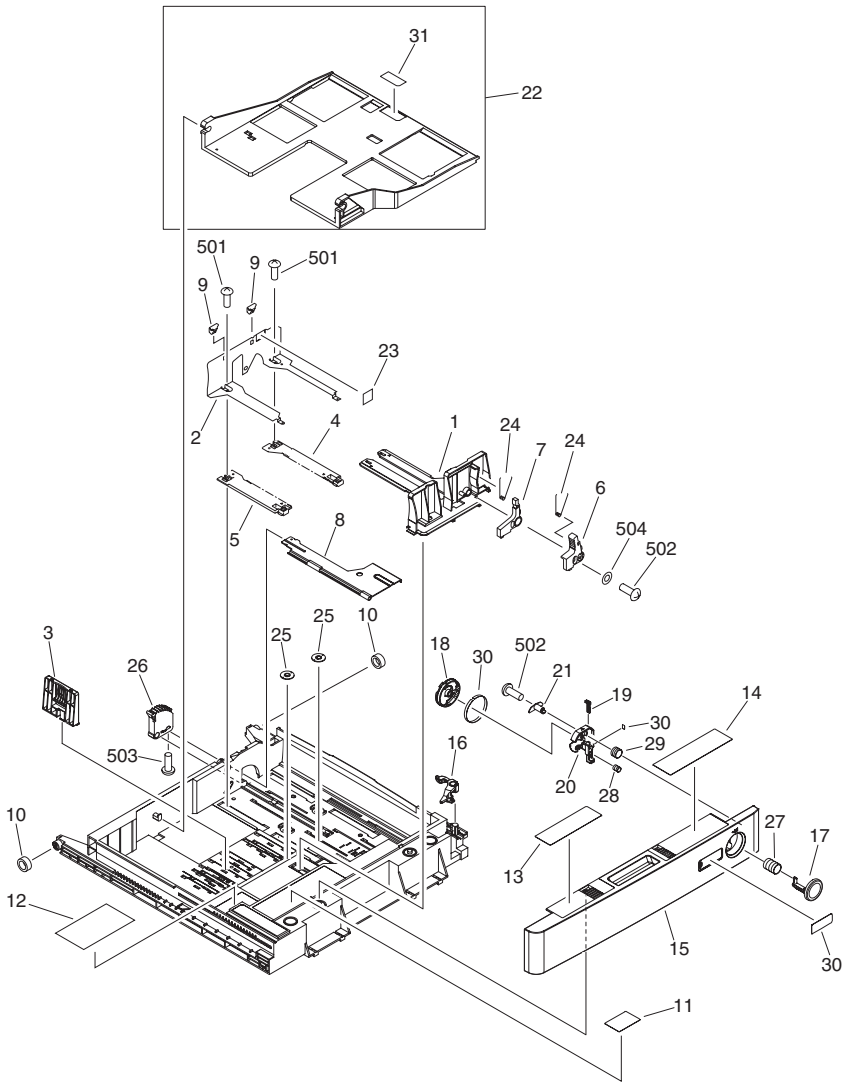


FIGURE & KEY NO.	PARTS NUMBER	R A N K	Q'TY	DESCRIPTION	SERIAL NUMBER/ REMARKS	S V C
Fig.L31	NPN		RF	CASSETTE	LARGE	
1	FB6-3478-000		1	PLATE, SIDE GUIDE, FRONT		
2	FB6-3479-000		1	PLATE, SIDE GUIDE, REAR		
3	FB6-3480-000		1	PLATE, END GUIDE		
4	FB6-3481-000		1	RACK, 1		
5	FB6-3482-000		1	RACK, 2		
6	FB6-3483-000		1	KNOB, SIDE GUIDE PLATE, 1		
7	FB6-3484-000		1	KNOB, SIDE GUIDE PLATE, 2		
8	FB6-3486-000		1	PLATE, LIFTER		
9	FB6-3490-000		2	CLAW, SIDE PLATE GUIDE		
10	FB6-3506-000		2	COLLAR, CASSETTE SWING		
11	FC5-0583-000		1	LABEL, PAPER SET		
12	FB6-3524-000		1	LABEL, PAPER SIZE SELECT		
13	FC5-0584-000		1	LABEL, SIZE CHANGE		
14	FC5-0598-000		1	LABEL, DIAL SET		
15	FC5-0624-000		1	PANEL, CASSETTE FRONT		
16	FC5-0605-000		1	ARM, LOCK		
17	FC5-0637-000		1	BUTTON, PUSH		
18	FC5-1422-000		1	DIAL, SIZE DETECT		
19	FC5-1423-000		1	SLIDER, CONVERT		
20	FC5-1424-000		1	HOLDER, DIAL		
21	FC5-1425-000		1	PIN, FLOAT GUIDE		
22	FF6-2064-000		1	PLATE, PAPER LIFTING		
23	FS6-8116-000		1	LABEL, 'PAPER HEIGHT'		
24	FS7-2805-000		2	SPRING, TORSION		
25	FU3-0293-000		2	GEAR, 16T		
26	FU3-0294-000		1	GEAR, 7T		
27	FU5-2033-000		1	SPRING, COMPRESSION		
28	FU5-2097-000		1	SPRING, COMPRESSION		
29	FU5-2104-000		1	SPRING, COMPRESSION		
30	FC5-0597-000		1	LABEL, CASSETTE SIZE		
31	FB6-3499-000		1	SHEET, SEPARATION		

FIGURE & KEY NO.	PARTS NUMBER	R A N K	Q'TY	DESCRIPTION	SERIAL NUMBER/ REMARKS	S V C
501	XB2-8300-607		AR	SCREW,W/WASHER,M3X6		
502	XB4-5300-807		AR	SCREW,P,M3X8		
503	XB6-7300-807		AR	SCREW,TP,M3X8		
504	XD1-1104-135		AR	SHIM		

Prepared by
OFFICE IMAGING PRODUCTS QUALITY ASSURANCE CENTER
CANON INC.

Canon